

CCS Technical Documentation NKC-1X Series Transceivers

Service Tools

Table of Contents

Module Jig (MJS-18, 0770299)	4
Product Code	4
POS Dongle (FLS-4S, 0774283)	5
Product Code	5
FPS-8 Flash Prommer for heavy flash (0080321, sales pack)	6
Product Code	6
FPS-8C Flash Prommer for heavy parallel flash (0080396)	7
Product Code	7
Docking Station (JBV-1, 0770298) and Docking Station Adapter (MJF-23, 0770489) 8	
Product Code	8
User Instructions (MJF-23)	9
Galvanic Contact (GAC-1, 0770301)	11
Product Code	11
Coupler (CPL-1, 0770287)	12
Product Code	12
Audio box (JBA-8, 0770320)	13
Product Code	13
Audio Cable (ADS-4, 0730222)	14
Product Code	14
Mbus/Fbus Cable (XCS-4, 0730178)	15
Product Code	15
Flash Adapter (FLA-39, 0770490)	16
Product Code	16
User Instructions (FLA-39)	17
Soldering Jig (MJS-27, 0775287)	19
Product Code	19
Printer Cable (AXP-8, 073F000)	20
Product Code	20
D9-D9 Cable (AXS-4, 0730090)	21
Product Code	21
Audio Cable (ADS-3, 0730197)	22
Product Code	22
DC Cable (SCB-3, 0730114)	23
Product Code	23
MBUS Cable (DAU-9S, 0730108)	24
Product Code	24
Power Cable (PCS-1, 0730012)	25
Product Code	25
RF Cable (XRF-1, 0730085)	26
Product Code	26
Service Cable (XCS-4, 0730178)	27
Product Code	27
Power Pack (DDC-1, 0670405)	28
Product Code	28
SW Security Device (PKD-1, 0750018)	29
Product Code	29

List of Figures

	Page No
Fig 1 View of Module Jig, MJS-18	4
Fig 2 View of POS Dongle, FLS-4S.....	5
Fig 3 View of Flash Prommer for heavy flash, FPS-8.....	6
Fig 4 View of Flash Prommer for heavy parallel flashing, FPS-8C.....	7
Fig 5 View of Docking Station, JBV-1.....	8
Fig 6 View of Galvanic Contact, GAC-1	11
Fig 7 View of Coupler, CPL-1.....	12
Fig 8 View of Audio Box, JBA-8	13
Fig 9 View of Audio Cable, ADS-4	14
Fig 10 View of Mbus/Fbus cable, XCS-4.....	15
Fig 11 View of Flash Adapter, FLA-39.....	16
Fig 12 View of Soldering Jig, MJS-27	19
Fig 13 Printer Cable, AXP-8.....	20
Fig 14 View of D9-D9 Cable AXS-4	21
Fig 15 View of Audio Cable ADS-3	22
Fig 16 View of DC Cable SCB-3	23
Fig 17 View of MBUS Cable DAU-9S	24
Fig 18 View of Power Cable PCS-1	25
Fig 19 View of RF Cable XRF-1	26
Fig 20 View of Service Cable, XCS-4.....	27
Fig 21 View of Power Pack, DDC-1	28
Fig 22 View of SW Security Device PKD-1	29

Module Jig (MJS-18, 0770299)

This jig allow phone PWB-level service and troubleshooting.

Electric circuits have to be protected against over-voltage and over-current.

Product Code

Module Jig MJS-18:

0770299

Figure 1: View of Module Jig, MJS-18

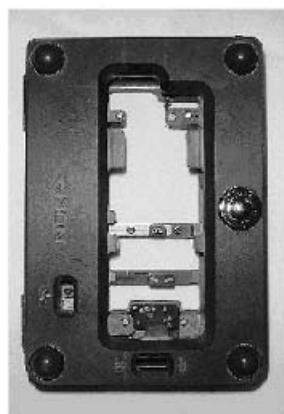


Table 1: Spare parts for MJS-18

Item	Description	Type Designation	Code	Supplier
1	Fuse T2A	5x20		
2	Test probe	GSS-19-3.9-G	540A007	IDI
3	Test probe	GKS079 301050A1300	540Y001	INGUN
4	RF probe	HRC2901-021002	978F005	SMK
5	System Connector Assembly		5460043	Molex

POS Dongle (FLS-4S, 0774283)

The POS flash concept needs the Flash Adapter and cable between the phone and the FLS-4S.

Product Code

POS Dongle FLS-4S:

0770283

Figure 2: View of POS Dongle, FLS-4S

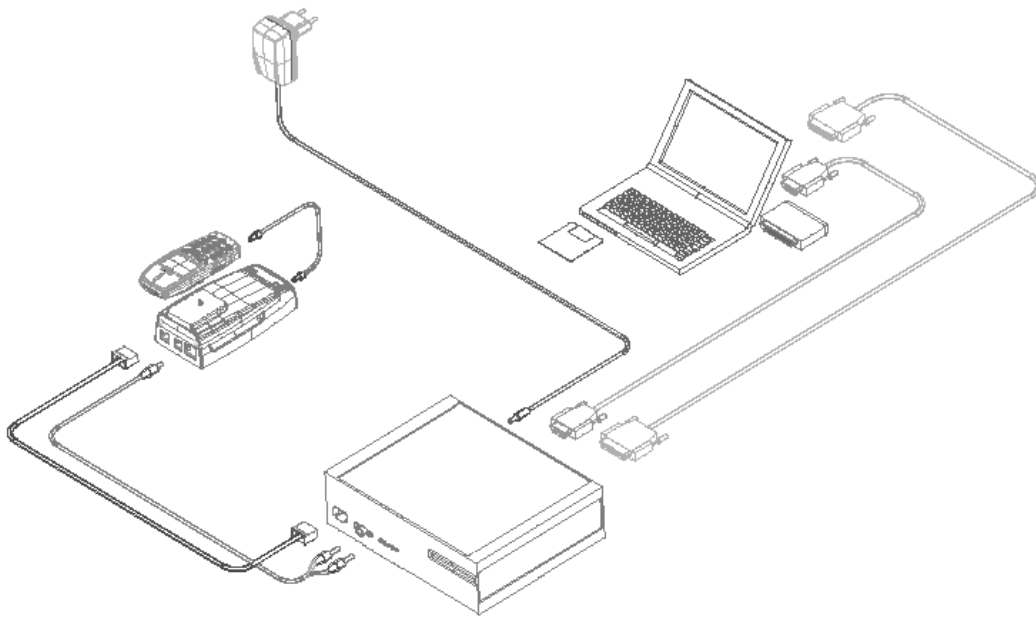


FPS-8 Flash Prommer for heavy flash (0080321, sales pack)

The FPS-8 flash prommer is used for heavy flashing.

Product Code

FPS-8 Flash Prommer:

*0080321***Figure 3: View of Flash Prommer for heavy flash, FPS-8**

FPS-8C Flash Prommer for heavy parallel flash (0080396)

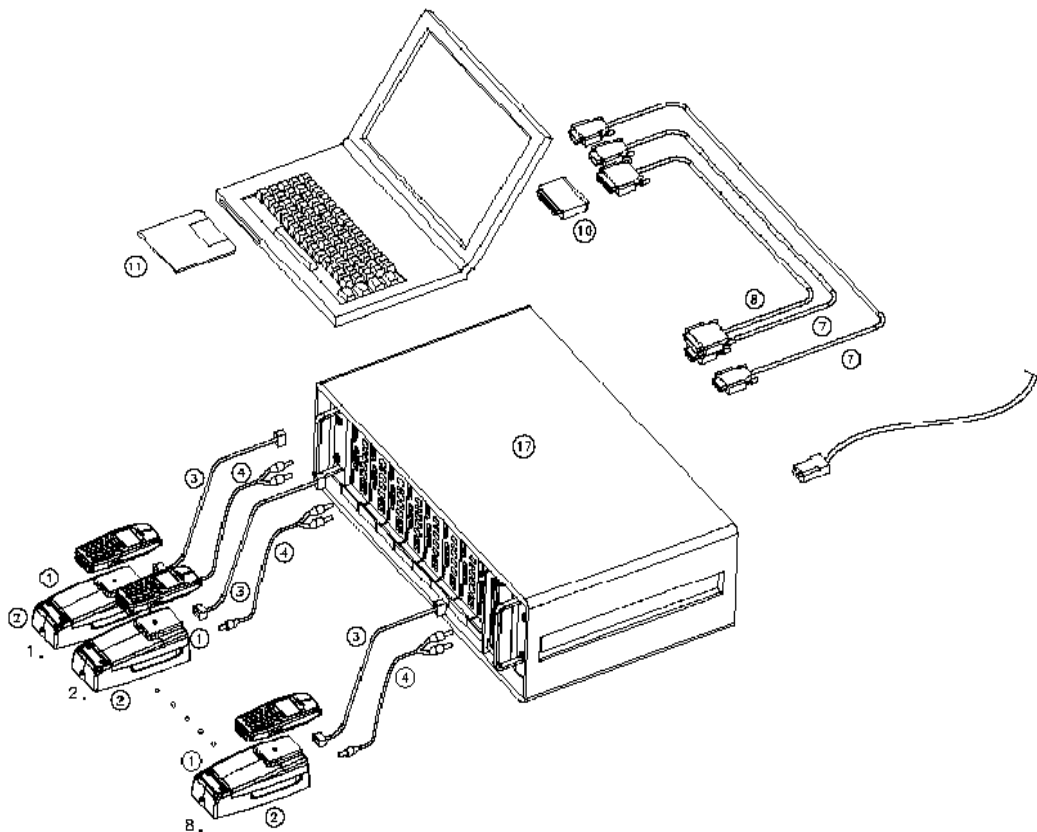
The FPS-8C Flash Prommer is used for heavy parallel flashing.

Product Code

FPS-8C:

0080396

Figure 4: View of Flash Prommer for heavy parallel flashing, FPS-8C



Docking Station (JBV-1, 0770298) and Docking Station Adapter (MJF-23, 0770489)

The Docking Station and Docking Station Adapter are needed for Mbus, Fbus, RF and Audio connections. This setup allows a connection between flash prommers. When the audio box is connected, it has to be connected to the phone's audio connector. The Docking Station can be powered by the FPS-8 or an external power supply.

Product Code

Docking Station JBV-1:	0770298
Docking Station Adapter MJF-23:	0770489
Spare parts for MJF-23 test pin:	540Y207 (test probe code)

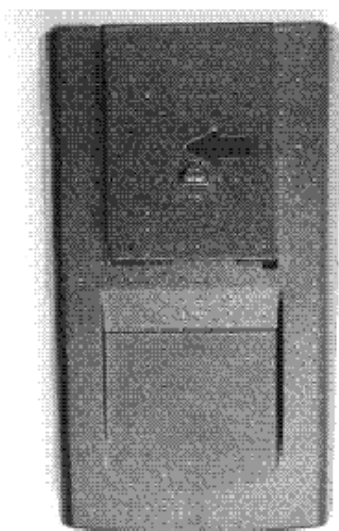
Figure 5: View of Docking Station, JBV-1



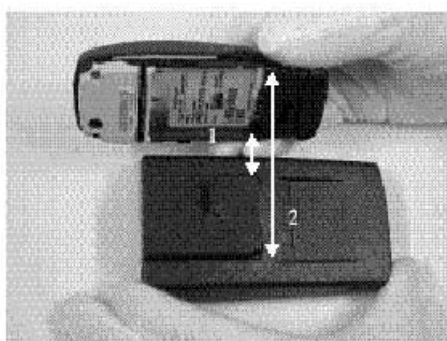
User Instructions (MJF-23)

To avoid causing any damage to the adapter or the phone, the following instructions must be followed.

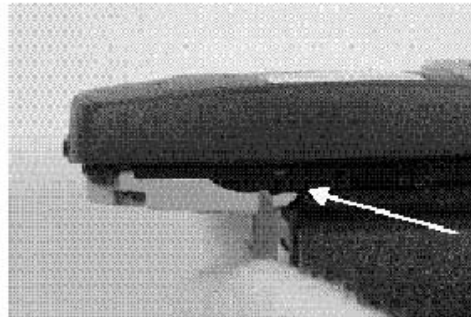
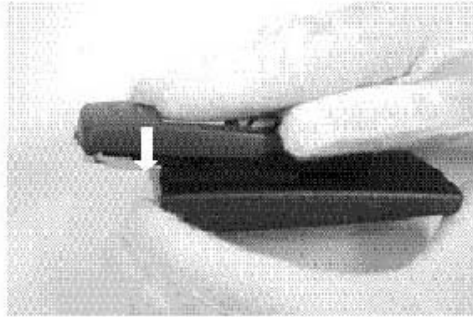
Note! Using the adapter in any other way may harm the important pins and connectors of the adapter. It cannot be used like the MJF-2 for 3320/3360 products.



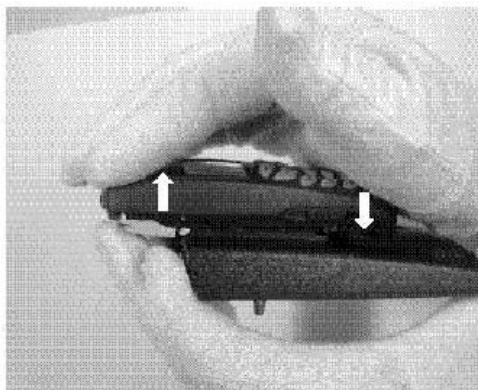
- 1 Gently press the phone onto the adapter. The arrow on the battery base surface shows the correct installing direction (see picture above).
- 2 Let the other edge of the phone down its place.



- 3 Press down the upper end of the phone with your finger until the battery latch locks the phone to its place.



- 4 To remove the phone from the adapter, push the bottom connector end of the phone down to the hollow in the adapter, and push at the same time the upper end of the phone until it detaches from its place. Detach the phone in inverse order from installation.



Galvanic Contact (GAC-1, 0770301)

The GAC-1 adapter is needed for the RF connection. The GAC-1 adapter makes galvanic connections to assembled handset RF-switches possible. Via this adapter, the handset is connected to the RF measuring and test equipment.

Note: Unnecessary usage of the handset's RF-switch must be avoided.

Product Code

Galvanic Contact GAC-1: 0770301

Figure 6: View of Galvanic Contact, GAC-1



Coupler (CPL-1, 0770287)

The Coupler has been developed for antennas' go/no go testing.

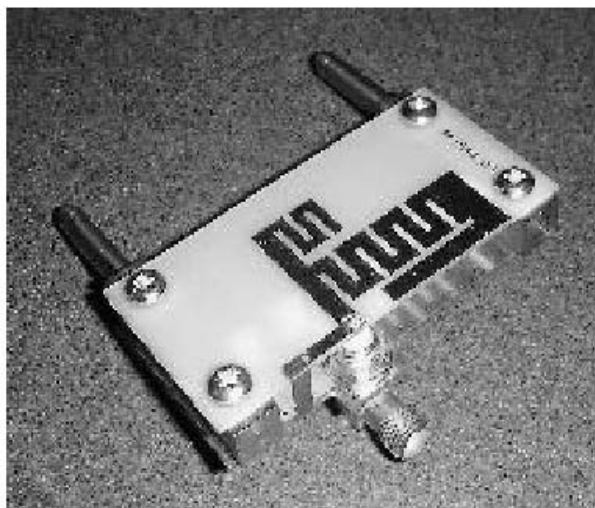
Note: Tuning is not allowed with the CPL-1.

Product Code

Coupler CPL-1:

0770287

Figure 7: View of Coupler, CPL-1



Audio box (JBA-8, 0770320)

The Audio Box is needed for audio connections. The box must support DCT4 Janette audios.

Service Audio box JBA-8. The Service Audio box provides an interconnection between the phone's system connector (XEAR, XMIC) through a fixed audio cable and Audio tester with a BNC-BNC coax. The connection to a PC can be made with the service battery, through a DAU-9 cable. The Service Audio Box JBA-8 is used for service purposes.

Product Code

Audio Box JBA-8:

0770320

Figure 8: View of Audio Box, JBA-8



Audio Cable (ADS-4, 0730222)

The Service Cable between the phone and the Service Audio Box.

Product Code

Audio Cable ADS-4:

0730222

Figure 9: View of Audio Cable, ADS-4

Mbus/Fbus Cable (XCS-4, 0730178)

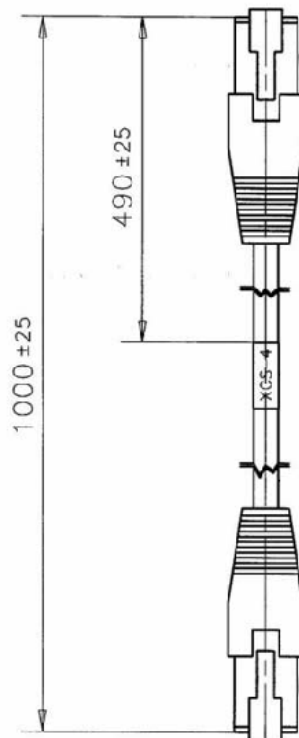
The Mbus/Fbus Cable connects the phone and the flash box.

Product Code

Mbus/Fbus cable XCS-4:

0730178

Figure 10: View of Mbus/Fbus cable, XCS-4



Flash Adapter (FLA-39, 0770490)

The Flash Adapter allows a continuous maximum power supply for the phone from an external power supply: the ACP-8. The service battery allows Mbus/Fbus connections. The Flash Adapter must be protected against over-voltage, over-current and cross-connections. The Flash Adapter has to be regulated.

Note: The Flash Adapter is not to be used for handset testing, and is only meant for flashing.

Product Code

Flash Adapter FLA-39: 0770490

Spare parts for FLA-39 test pin: 0770543 (test probe)

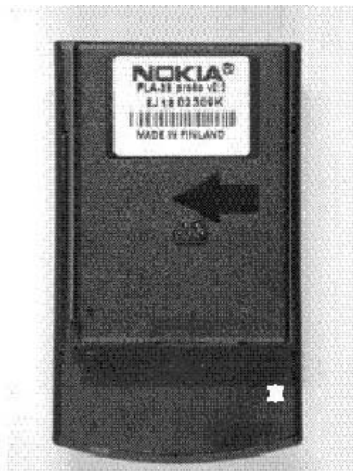
Figure 11: View of Flash Adapter, FLA-39



User Instructions (FLA-39)

To avoid causing any damage to the adapter or the phone, the following instructions must be followed.

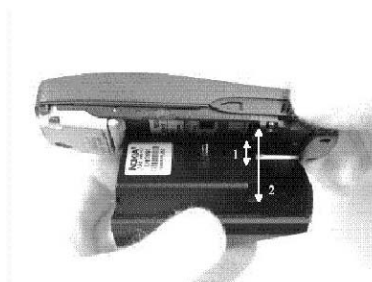
Note: Using the adapter in any other way may harm the important pins and connectors of the adapter. It cannot be used like the FLA-13 for 3320/3360 products.



- 1 Keep the adapter in the left hand and the phone in the right hand.



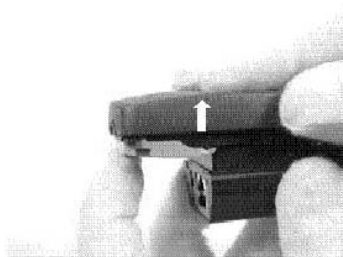
- 2 Gently press the phone onto the adapter (arrow 1 in picture below). The arrow in the battery base surface shows the correct installing direction (see picture on top of page).



- 3 Let the other edge of the phone down its place (arrow 2) and press down the upper end of the phone with your finger until the battery latch locks the phone in its place.



- 4 To remove the phone from the adapter, push the phone away from the adapter until it detaches from its place. Detach the phone in inverse order from installation.



Soldering Jig (MJS-27, 0775287)

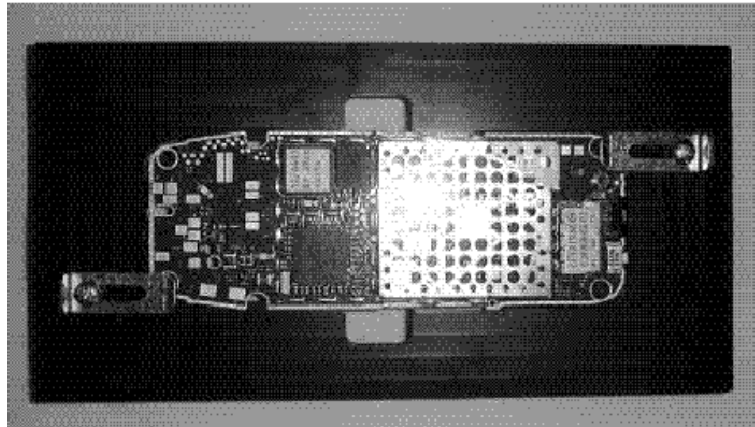
The Soldering Jig is used to hold the PWB during repair and troubleshooting.

Product Code

Soldering Jig MJS-27:

0775287

Figure 12: View of Soldering Jig, MJS-27



Printer Cable (AXP-8, 073F000)

The Parallel Printer Cable connects the parallel connector of the PC and the "Parallel Input" of FPS-8 or FPS-8C.

Product Code

Printer Cable AXP-8: *073F000 (Note! Under the FPS-8 sales package)*

Printer Cable AXP-8: *0730298 (Note! Orderable separately)*

Figure 13: Printer Cable, AXP-8



D9-D9 Cable (AXS-4, 0730090)

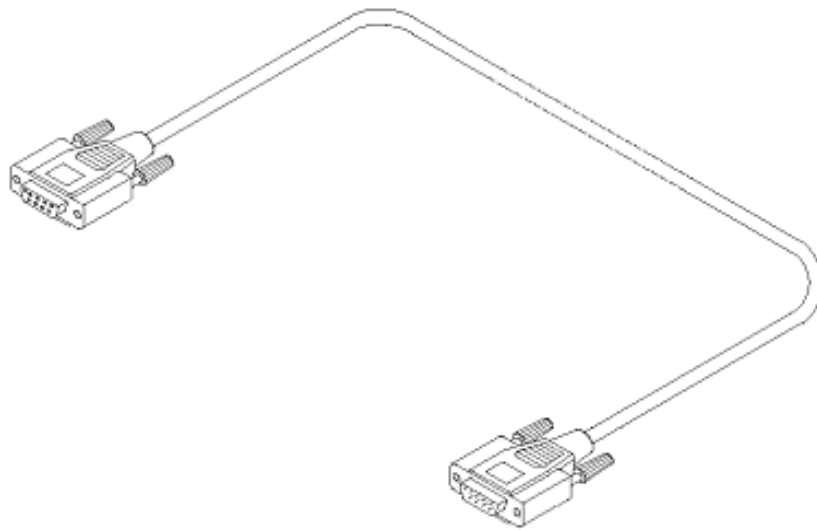
The D9-D9 cable AXS-4 is used to connect two 9 pin D connectors, for example, between a PC and TDF-4 security box.

Product Code

D9-D9 Cable AXS-4:

0730090

Figure 14: View of D9-D9 Cable AXS-4



Audio Cable (ADS-3, 0730197)

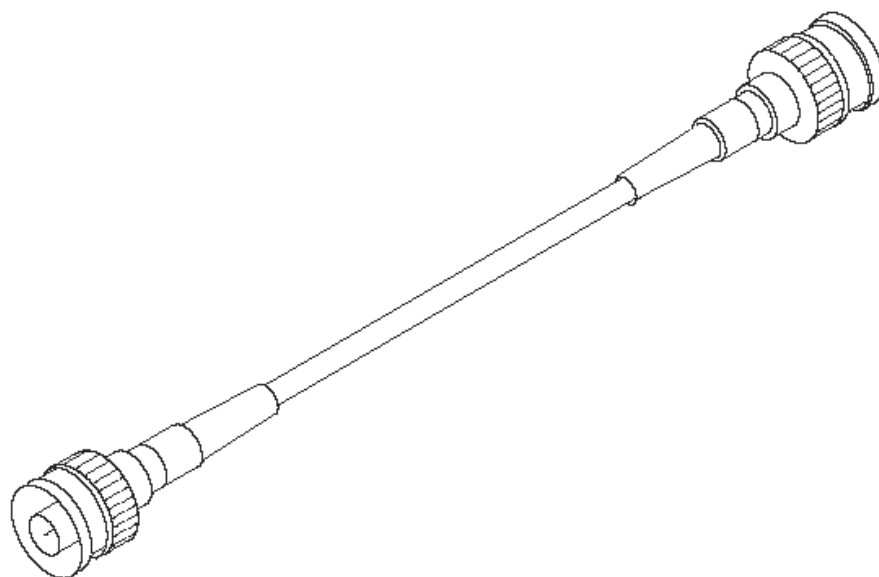
The Audio Cable connects to the Audio Box JBA-6.

Product Code

Audio Cable ADS-3:

0730197

Figure 15: View of Audio Cable ADS-3



DC Cable (SCB-3, 0730114)

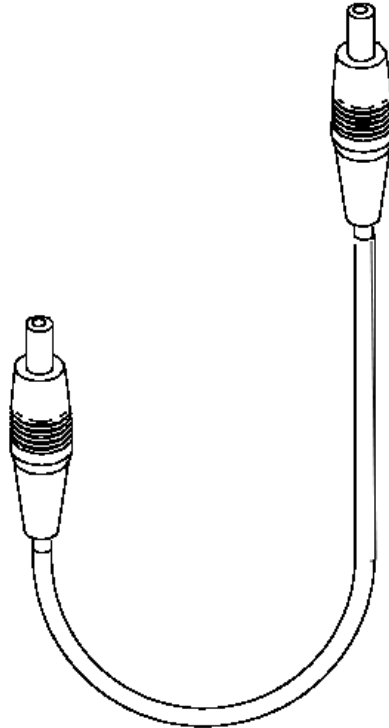
The DC Cable SCB-3 is used to connect the Service Battery to the charger connection Vin of the phone when doing the charger calibration service procedure.

Product Code

DC Cable SCB-3:

0730114

Figure 16: View of DC Cable SCB-3

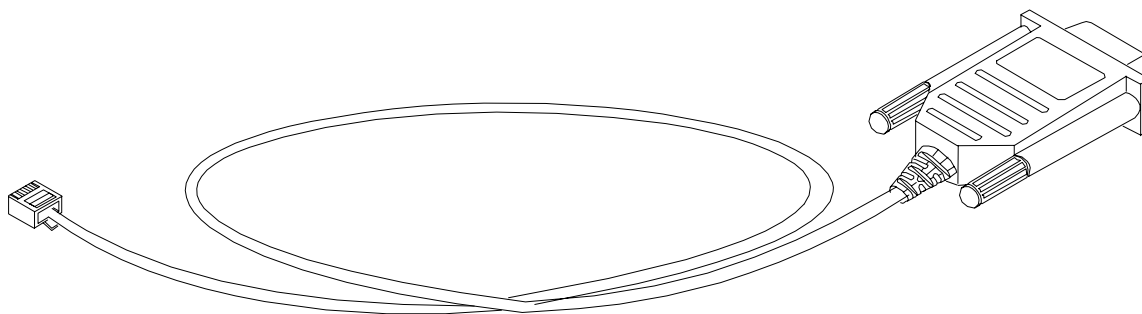


MBUS Cable (DAU-9S, 0730108)

The MBUS Cable DAU-9S has a modular connector, and is used with the service Audio Box JBA-4 or a modular T-adapter.

Product Code

MBUS Cable DAU-9S:

*0730108***Figure 17: View of MBUS Cable DAU-9S**

Power Cable (PCS-1, 0730012)

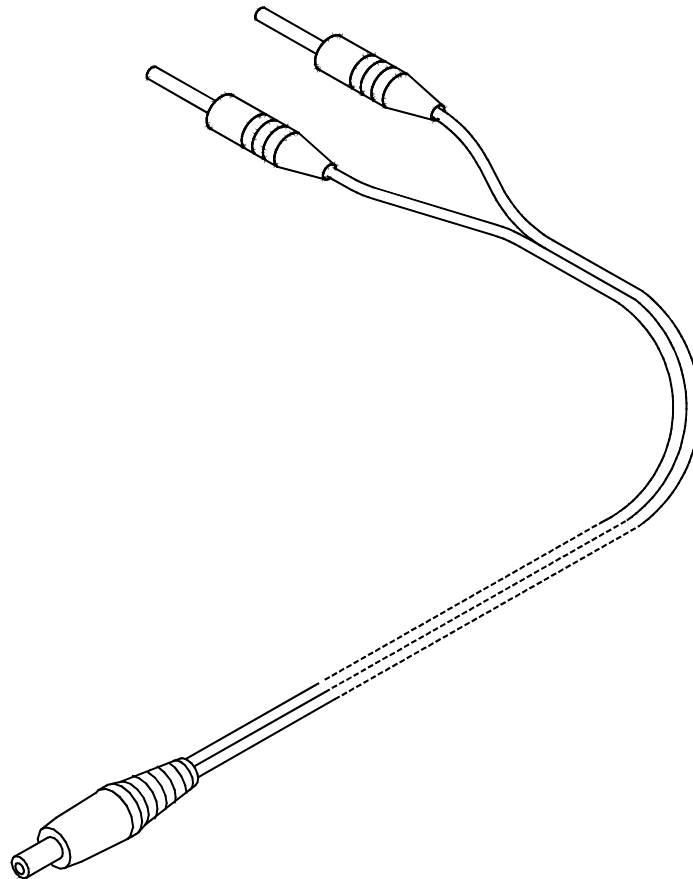
The Power Cable PCS-1 is used to connect the JBV-1 and MJS-18 module jigs to an external power supply. It can also be used with FPS-8.

Product Code

Power Cable PCS-1:

0730012

Figure 18: View of Power Cable PCS-1



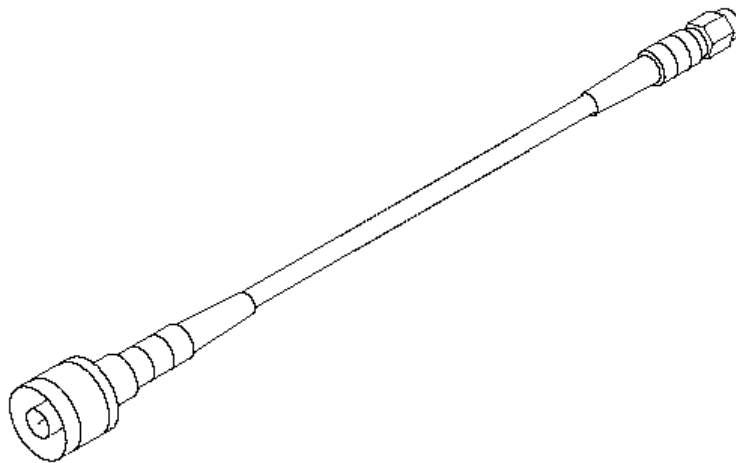
RF Cable (XRF-1, 0730085)

The XRF-1 RF Cable is used to connect the MJS-9 Test frame to the RF measurement equipment.

Product Code

RF Cable XRF-1:

0730085

Figure 19: View of RF Cable XRF-1

Service Cable (XCS-4, 0730178)

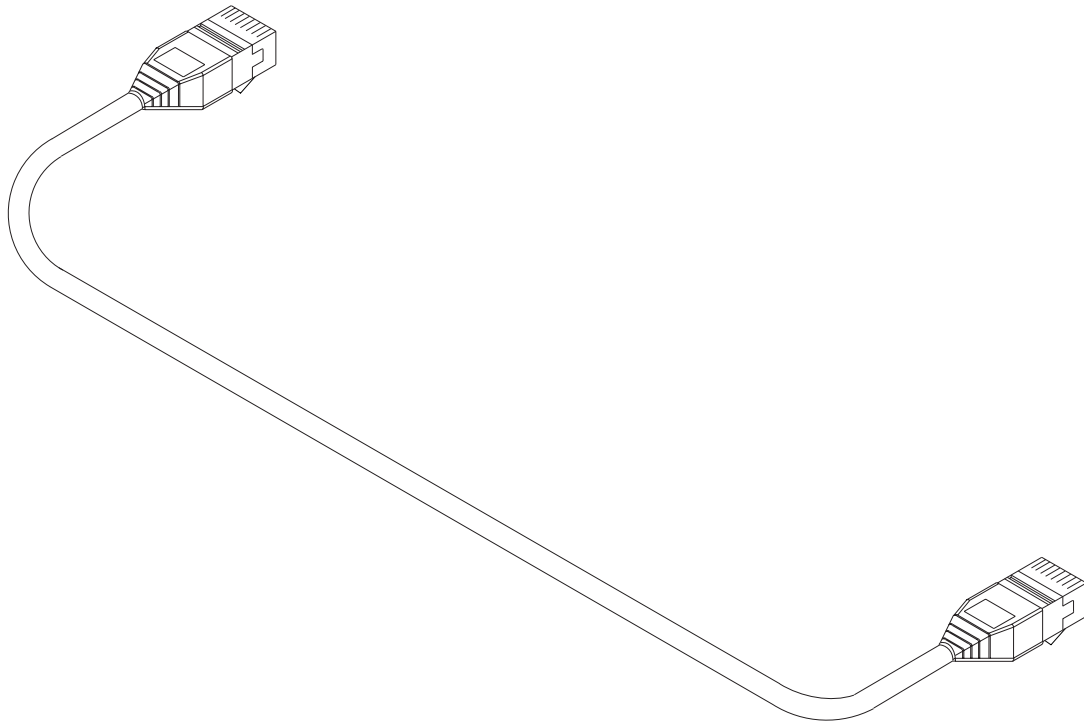
The XCS-4 Service Cable is a modular cable for flashing DCT4 products.

Product Code

Service Cable XCS-4:

0730178

Figure 20: View of Service Cable, XCS-4



Power Pack (DDC-1, 0670405)

The Power Pack is designed to provide the phone with power via FLA-39. The phone's own battery can be used in DDC-1.

Product Code

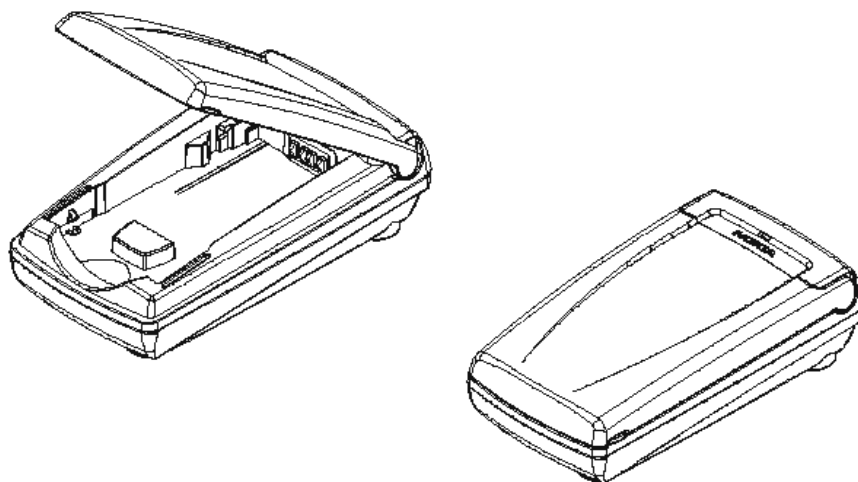
Power Pack DDC-1:

0675243

Note: DDC-1 allows battery charging. When it is used as a charger, the power pack need to be disconnected.

Note: When DDC-1 is used as a Power Pack, battery charging is not allowed!

Figure 21: View of Power Pack, DDC-1



Note: Do not plug in cable in charger receptacle.

SW Security Device (PKD-1, 0750018)

The SW security device is a piece of hardware enabling the use of the service software when connected to the parallel (LPT) port of the PC. Without the dongle present it is not possible to use the service software. Printer or any such device can be connected to the PC through the dongle if needed.

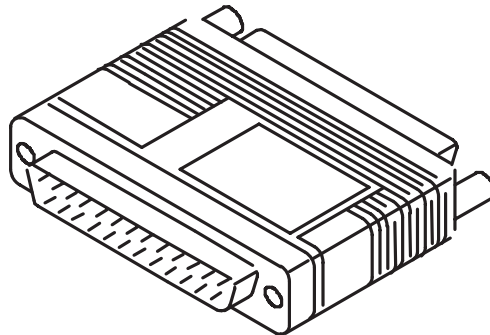
Note: Make sure that you have switched off the PC and the printer before making connections!

Note: Do not connect the PKD-1 to the serial port. You may damage your PKD-1.

Product Code

SW Security Device PKD-1: 0750018

Figure 22: View of SW Security Device PKD-1



This page intentionally left blank.

